



## ARP-5515AX-AMA (Ceiling Mount)

Wall Mount 15-inch Resistive Touch Screen Operator Workstation (Ceiling Mount)

### Features

- 15" LCD, 1024 x 768 Resolution
- 5-Wire Resistive Touch Screen
- Intel Celeron J1900 @ 1.99GHz / Atom E3845 @ 1.91GHz CPU; Intel i7-6600U CPU
- Up to 8GB DDR3 / Up to 16GB DDR4 SO-DIMM
- Stainless Steel Fully Closed Enclosure
- Meets NEMA 4X / IP66 Protection Requirements
- Stainless Steel Wall Mount Mounting Brackets Included
- Waterproof Keyboard and Pointing Device
- Three Keyboard Options
- ThinManager Ready Version Available
- Cables for 24V DC Input and Gigabit Ethernet (RJ45)

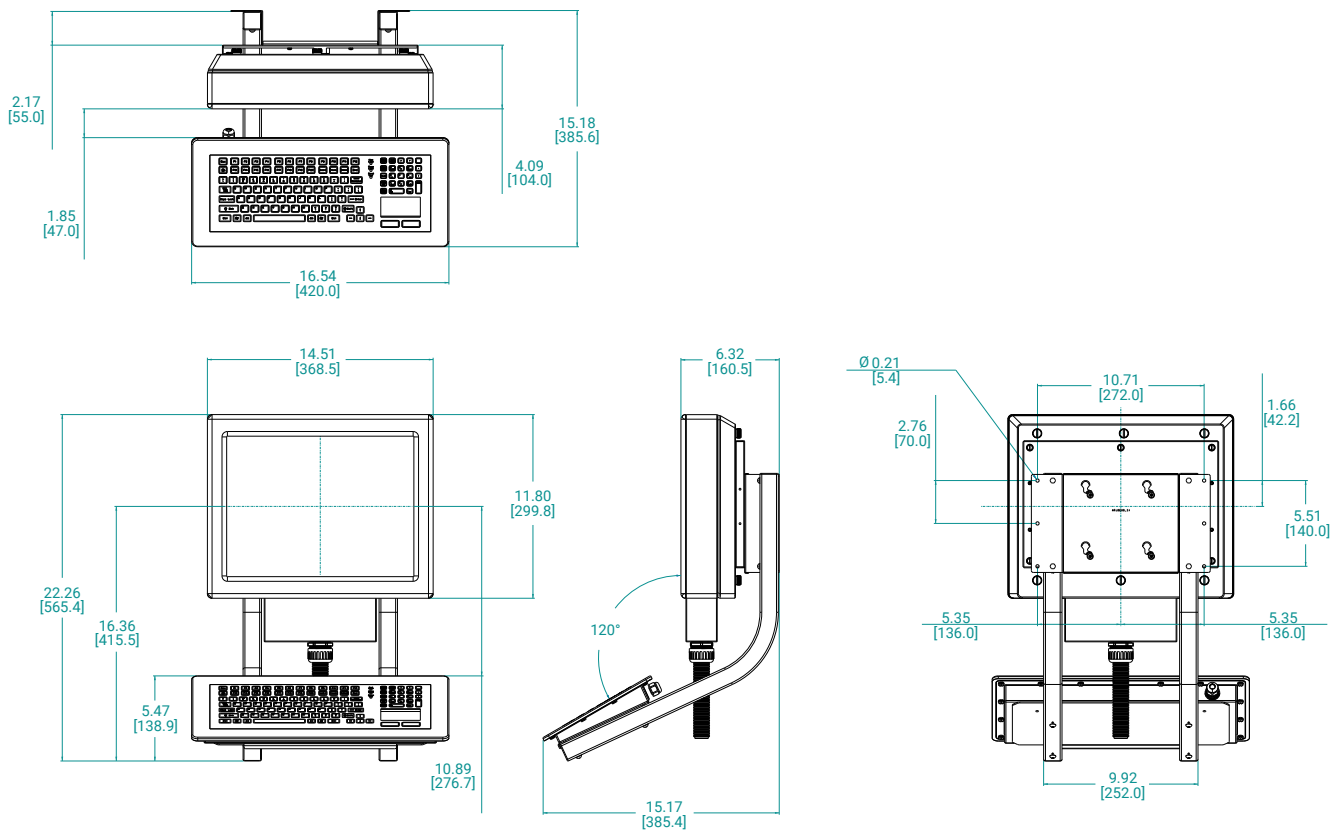
### Specifications

Model Name	ARP-5515AX-AMA (Ceiling Mount)	
	E01	H01
<b>LCD Display</b>		
Display Size (Diagonal)	15.0 inch	15.0 inch
Max Resolution	1024 x 768	1024 x 768
Backlight Lifetime (Hours)	50,000 hours	50,000 hours
<b>Visual Characteristics</b>		
Colors	16.7 million	16.7 million
Aspect Ratio	4:3	4:3
Viewing Angle (V/H)	140° / 170°	140° / 170°
Contrast Ratio	700 : 1	700 : 1
Brightness	300 nits (max)	300 nits (max)
<b>Touchscreen</b>		
Technology	5 Wire Resistive	5 Wire Resistive
Interface	USB	USB
Driver	Windows 7, Windows 10	Windows 10
<b>System</b>		
CPU	Intel Celeron J1900 @ 1.99GHz / Atom E3845 @ 1.91GHz CPU	Intel i7-6600U CPU
Chipset	Bay Trail	Skylake
Memory	Up to 8GB DDR3 SO-DIMM	Up to 16GB DDR4 SO-DIMM
Video Controller	Intel Gen7 Intel Graphics DX 11, OGL3.2	Intel HD Graphics 520
External Video Output	N/A	N/A
Storage Option	2.5" SSD	2.5" SSD
CFast	Optional	Optional
Keyboard	Membrane or Silicon Rubber Keyboard	Membrane or Silicon Rubber Keyboard
Mouse	Pointing Device or Touch Pad	Pointing Device or Touch Pad
Audio	N/A	N/A
Watchdog Timer	Programmable 1 - 255 sec	Programmable 1 - 255 sec
Remote Boot	ThinManager Ready, PXE	N/A
Expansion Slot	N/A	N/A
<b>I/O Communication</b>		
USB Port	1x USB 2.0	1x USB 2.0
Serial Port	N/A	N/A
IEEE 1394	N/A	N/A
LAN / Wi-Fi	1 x Gigabit	1 x Gigabit
Parallel	N/A	N/A
GPIO	N/A	N/A
<b>OS Support</b>		
OS Support	Windows 7, Windows 10	Windows 10
<b>Power/Thermal Specs</b>		
Power Requirement (Max)	24VDC / 1.17A	24VDC / 1.70A
Power Consumption (Max)	28 W	41 W
Recommended Power Supply	40 W	59W
Heat Dissipation	96 BTU/hr	140 BTU/hr
<b>Physical Information</b>		
Mounting	Optional Mounting (Refer to Accessories)	Optional Mounting (Refer to Accessories)
Net Weight	42 Lbs/ 20 kg	42 Lbs/ 20 kg
Dimension (W x H x D)	--	--
Recommended Cutout Dimension (WxH)	N/A	N/A
<b>Environmental</b>		
Operation Temperature	0-35°C (32-95°F)	0-35°C (32-95°F)
Storage Temperature	-20-60°C (-4-140°F)	-20-60°C (-4-140°F)
Humidity	0-95%	0-95%
Rating	Meets NEMA 4X / IP65	Meets NEMA 4X / IP65
Certification	N/A	N/A

## Dimension Drawing

Model Name: ARP-5515AX-AMA-E01 (Ceiling Mount)

Size Unit: inch(mm)



## Ordering Information

This is one of the illustrations showing ARP-5515AX can be used in the workstation setup. Please call ARISTA sales for various workstation mounting options.